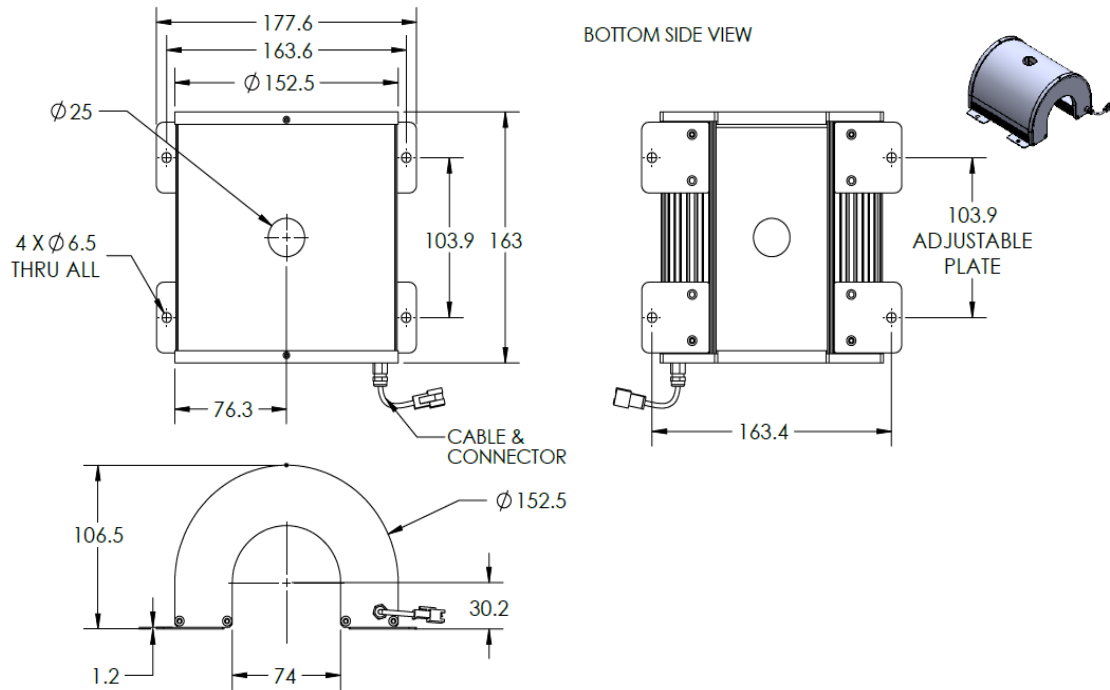


## LT3WRH150-00-1-B-24V


### Lighting Dimension



Mechanical Information	
Casing Material	Aluminium
Storage Temperature Range	Temp 0 - 45°C, Humidity 20-85%
Weight	530 g
Length / Outer Diameter	163 mm
Width / Inner Diameter	177.6 mm
Thickness/Height	106.5 mm

# ILLUMINATOR DATA - ID

## LT3WRH150-00-1-B-24V

Optical Information		LT3WRH150-00-1-B-24V		
Part Number		LT3WRH150-00-1-B-24V		
LED Color		BLUE		
Wavelength	(nm)	470		
Intensity ( $\pm 15\%$ )	(Lux)	TBA	TBA	TBA
Working Distance	(mm)	40	50	60
Illumination (number of row)		1		
Illumination Active Area				
Active Length / Outer Dia.	(mm)	147		
Active Width / Inner Dia.		76		
Emission angle	(deg.)	0		
Eye Safety Class ( IEC62471 )		II		
Electrical Information		LT3WRH150-00-1-B-24V		
Lighting Supply Voltage (constant voltage mode)		24V $\pm$ 2%		
Continuous Current	(mA)	400		
Power Consumption	(W)	9,6		
Lighting casing temperature, Operating after 60 minutes	°C	TBA		
Strobe Mode Specification		LT3WRH150-00-1-B-24V		
Pulse Operation		YES		
Max. Lighting Supply Voltage (Constant voltage power supply)	(V)	Pulsing at 24VDC to 48VDC, 0-10% Duty Cycle Recommended at 36VDC		
Pulse Current, (Max. 10msec) (Constant current power supply)	(mA)	1200		
Max. Trigger Pulse Duration	(msec)	10		
Duty Cycle		0-10%		
Additional Information		LT3WRH150-00-1-B-24V		
Additional Cooling Method		Attached to machine part for better heat dissipation		
Intensity Controller Selection		ANGX, ST, SD and SDA series		
CE Conformity		YES		
RoHS Compliance		YES		
Connection		LT3WRH150-00-1-B-24V		
Connector Type (Default):		JST SMR-03V		
Cable Length out from lighting :	(mm)	500		
Pin Configuration :		Pin	Signal	Cable Color
		1	LED +	RED
		2	N.C.	---
		3	LED -	WHITE
				
Application		LT3WRH150-00-1-B-24V		
Illumination Type		Indirect Illumination		
Application Use		Crack, chip, stains and mark on cylindrical surface or shafts.		